

# H42

## 美式缓冲铰链

SOFT CLOSING FACE FRAME 3D HINGE

开启角度: 105°  
 适用16~24mm厚门板  
 铰杯深度: 11mm  
 面框厚度: 19mm  
 不同盖位适用不同柜体  
 三维六方位调节

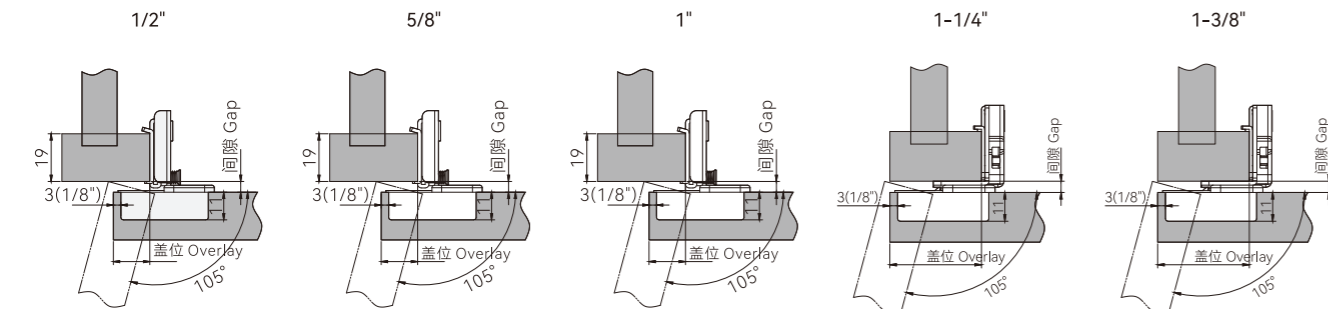
Opening degress 105°  
 Range for door thickness: 16~24mm  
 Height of hinge cup: 11mm  
 Face frame thickness 3/4"(19mm)  
 3D Adjustment



产品种类 Product category

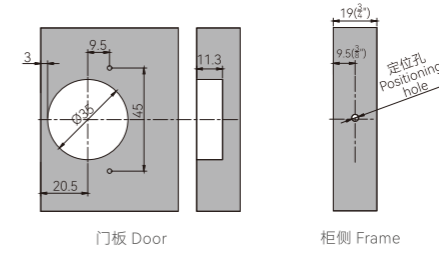


产品盖位计算值表 Table of calculation value of product cover position

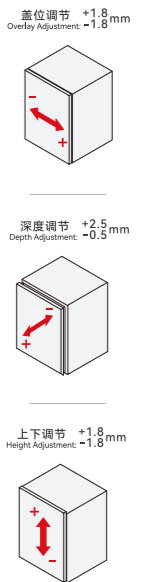
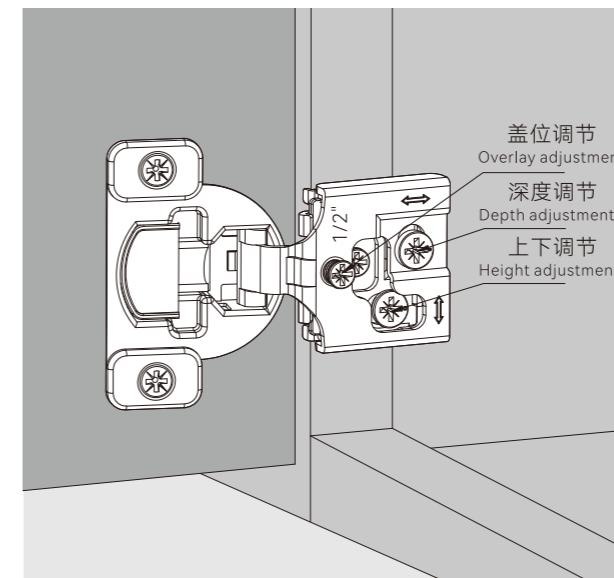


1/2"	5/8"	1"	1-1/4"	1-3/8"
3D缓冲美式铰链 Soft close face frame 3D hinge	3D缓冲美式铰链 Soft close face frame 3D hinge	3D缓冲美式铰链 Soft close face frame 3D hinge	3D缓冲美式铰链 Soft close face frame 3D hinge	3D缓冲美式铰链 Soft close face frame 3D hinge
产品编号 H4213S00	产品编号 H4216S00	产品编号 H4225S00	产品编号 H4232S00	产品编号 H4235S00
3D非缓冲美式铰链 Non-soft close face frame 3D hinge	3D非缓冲美式铰链 Non-soft close face frame 3D hinge	3D非缓冲美式铰链 Non-soft close face frame 3D hinge	3D非缓冲美式铰链 Non-soft close face frame 3D hinge	3D非缓冲美式铰链 Non-soft close face frame 3D hinge
产品编号 H4213N00	产品编号 H4216N00	产品编号 H4225N00	产品编号 H4232N00	产品编号 H4235N00

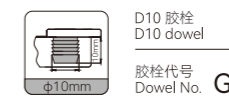
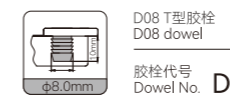
铰杯钻孔 Cup Drilling



三维调节  
3D adjustment



铰杯可配螺丝种类 Types of screws available



产品配件 Product accessories

木工螺丝 Wooden Screw

P100